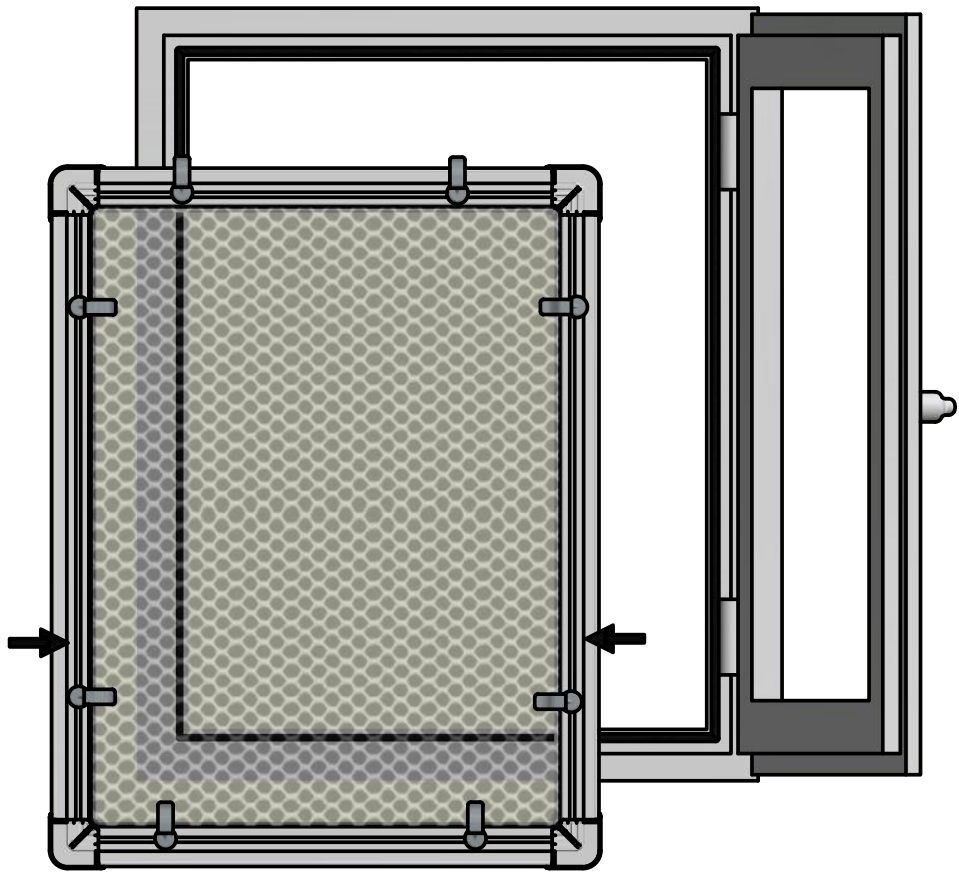
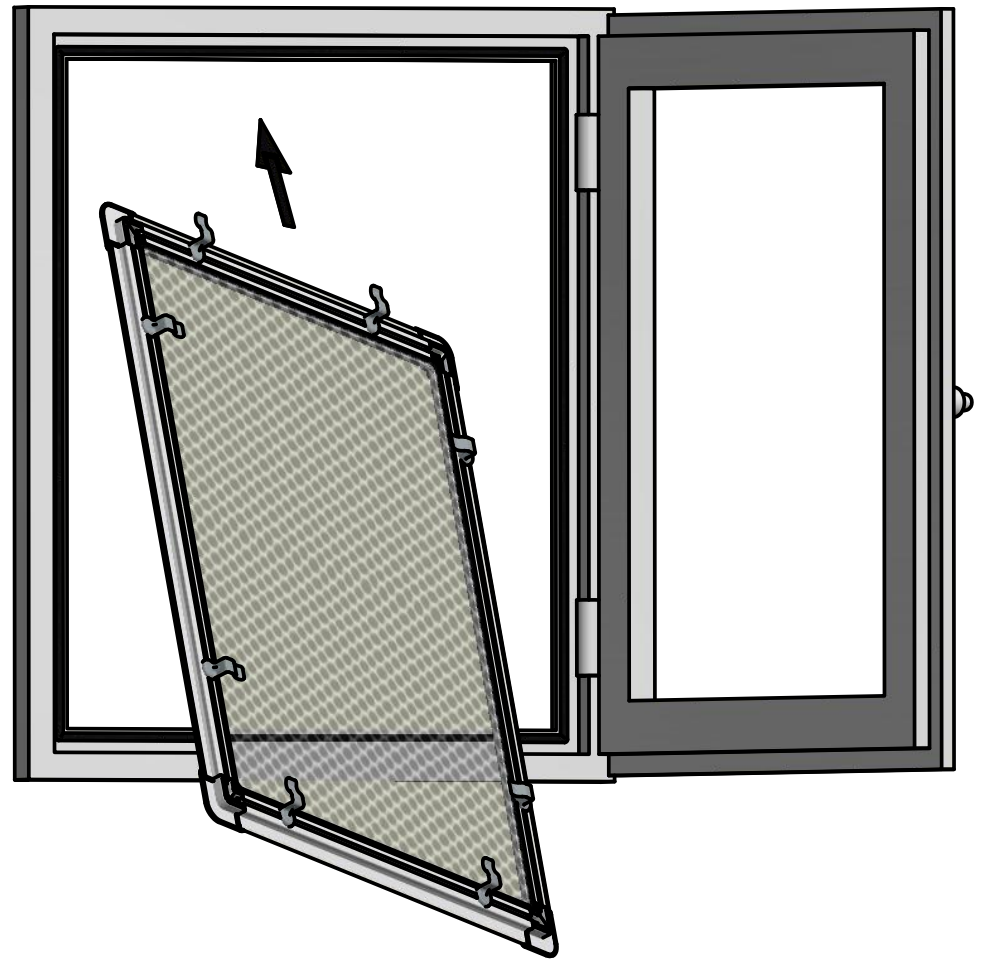


# INSTALLATION OF MOSQUITO NET

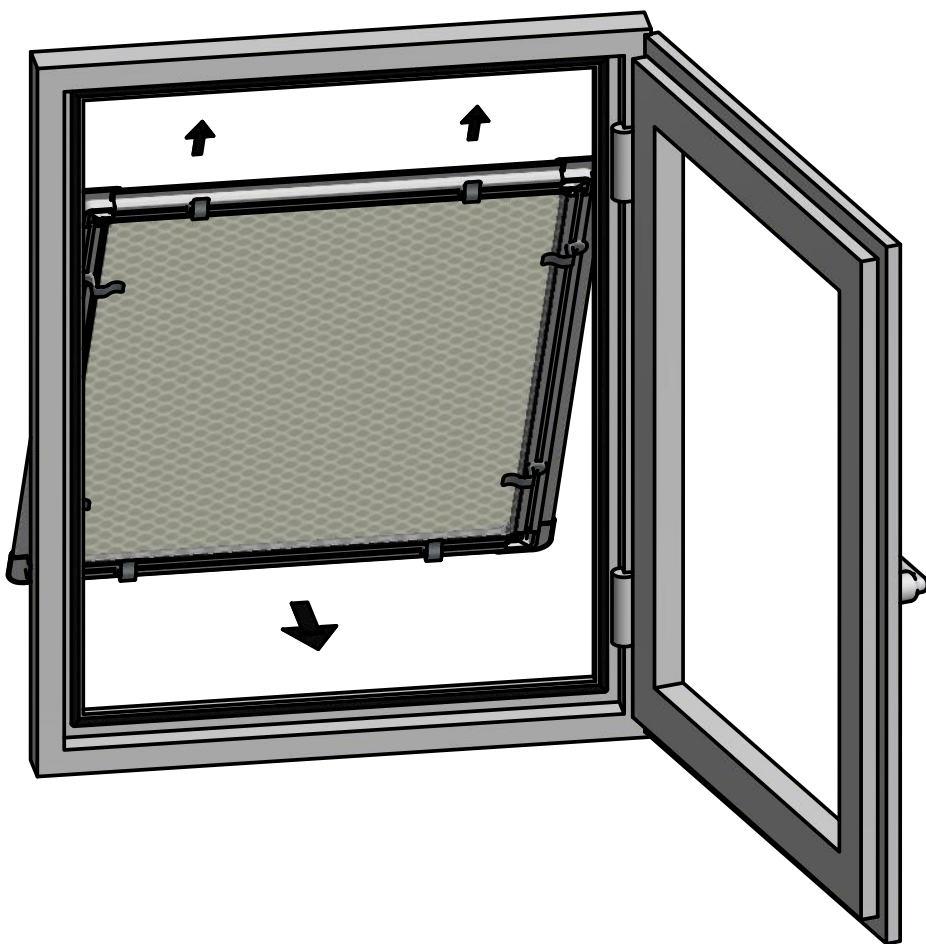
1 Hold the assembled mosquito screen about one-third of its height from the bottom.



2 Next, holding it firmly along the diagonal, position the mosquito screen outside the window.



3 Attach the upper clips, located behind the mosquito screen, to the window frame lip. Then, holding the screen, attach the remaining clips and press it down to the frame.



4 Once the mosquito screen is in the right position, rotate the remaining clips 180° so they securely grip the window frame.

